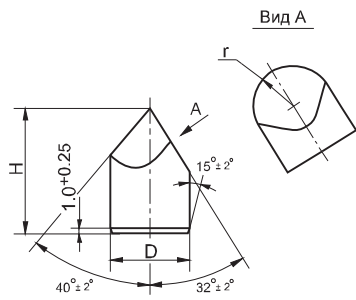




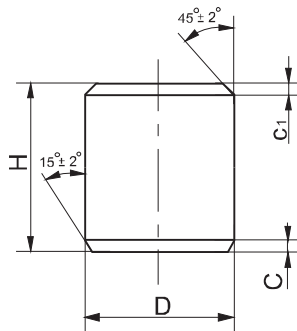
## Форма Г23



Применяются для армирования зубков  
угольных комбайнов и одношарошечных долот

Обозначение изделия	Размеры, мм		
	D	H	r
Г23 8x12	8.12 - 0.027	11.7 - 0.15	4.5 ± 0.20
Г23 8x14	8.12 - 0.027	13.7 - 0.15	4.5 ± 0.20
Г23 10x12	10.14 - 0.027	11.7 - 0.15	5.5 ± 0.25
Г23 10x14	10.14 - 0.027	13.7 - 0.15	5.5 ± 0.25
Г23 10x16	10.14 - 0.027	15.7 - 0.15	5.5 ± 0.25
Г23 12x18	12.14 - 0.027	17.7 - 0.15	6.5 ± 0.25
Г23 12x20	12.14 - 0.027	19.7 - 0.15	6.5 ± 0.25
Г23 14x22	14.14 - 0.027	21.7 - 0.15	7.5 ± 0.25

## Форма Г54

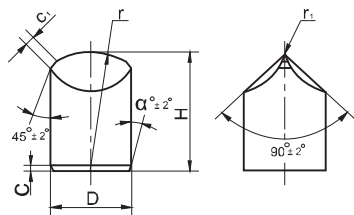


Применяются для армирования  
шарошечных долот

Обозначение изделия	Размеры, мм			
	D -0.027	H	C +0.25	C1 +0.25
Г54 3x3	3.12	2,70 +0.3	0.4	0.4
Г54 4x4	4.12	3,70 +0.3	0.4	0.4
Г54 5x4	5.12	3,70 +0.3	0.4	0.4
Г54 5x5	5.12	4,70 +0.3	0.4	0.4
Г54 6x4	6.12	3,70 +0.3	0.4	0.4
Г54 6x5	6.12	4,70 +0.3	0.4	0.4
Г54 6x6	6.12	5,70 +0.3	0.4	0.4
Г54 6x10	6.12	9,70 +0.3	0.4	0.4
Г54 7x5	7.12	4,70 -0.15	1.0	0.5
Г54 7x6	7.12	5,70 -0.15	1.0	0.5
Г54 8x6	8.12	5,70 -0.15	1.0	0.5
Г54 8x7	8.12	6,70 -0.15	1.0	0.5
Г54 8x8	8.12	7,70 -0.15	1.0	0.5
Г54 10x8	10.14	7,70 -0.15	1.0	0.5
Г54 10x10	10.14	9,70 -0.15	1.0	0.5
Г54 10x11	10.14	10,70 -0.15	1.0	0.5
Г54 12x8	12.14	7,70 -0.15	1.0	0.5
Г54 12x10	12.14	9,70 -0.15	1.0	0.5
Г54 13x9	13.14	8,70 -0.15	1.0	0.5
Г54 15x13	15.14	12,70 -0.15	1.0	0.5



## Форма Г25



Применяются для армирования шарошечных долот

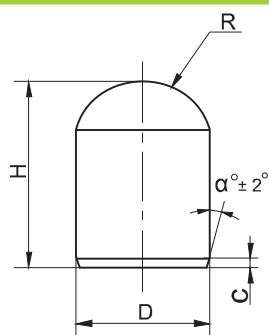
Обозначение изделия	Размеры, мм						
	D - 0.027	H	г	г <sub>1</sub>	c + 0.25	c <sub>1</sub>	α
Г25 3x5	3.12	4.70 +0.3	8.0 ± 0.15	0.5	0.4	0.5	45
Г25 4x5	4.12	4.70 +0.3	8.0 ± 0.15	0.5	0.4	0.5	45
Г25 4x6	4.12	5.70 +0.3	8.0 ± 0.15	0.5	0.4	0.5	45
Г25 4x7	4.12	6.70 +0.3	8.0 ± 0.15	0.5	0.4	0.5	45
Г25 5x6	5.12	5.70 +0.3	10.0 ± 0.15	0.5	0.4	0.5	45
Г25 5x7	5.12	6.70 +0.3	10.0 ± 0.15	0.5	0.4	0.5	45
Г25 5x8	5.12	7.70 +0.3	10.0 ± 0.15	0.5	0.4	0.5	45
Г25 5x9	5.12	8.70 +0.3	10.0 ± 0.15	0.5	0.4	0.5	45
Г25 6x6	6.12	5.70 +0.3	12.0 ± 0.20	0.5	0.4	0.5	45
Г25 6x7	6.12	6.70 +0.3	12.0 ± 0.20	0.5	0.4	0.5	45
Г25 6x8	6.12	7.70 +0.3	12.0 ± 0.20	0.5	0.4	0.5	45
Г25 6x9	6.12	8.70 +0.3	12.0 ± 0.20	0.5	0.4	0.5	45
Г25 6x10	6.12	9.70 +0.3	12.0 ± 0.20	0.5	0.4	0.5	45
Г25 7x6	7.12	5.70 -0.15	14.0 ± 0.20	0.5	1.0	0.5	15
Г25 7x7	7.12	6.70 -0.15	14.0 ± 0.20	0.5	1.0	0.5	15
Г25 7x8	7.12	7.70 -0.15	14.0 ± 0.20	0.5	1.0	0.5	15
Г25 7x9	7.12	8.70 -0.15	14.0 ± 0.20	0.5	1.0	0.5	15
Г25 7x10	7.12	9.70 -0.15	14.0 ± 0.20	0.5	1.0	0.5	15
Г25 7x11	7.12	10.70 -0.15	14.0 ± 0.20	0.5	1.0	0.5	15
Г25 7x12	7.12	11.70 -0.15	14.0 ± 0.20	0.5	1.0	0.5	15
Г25 8x7	8.12	6.70 -0.15	16.0 ± 0.20	1.0	1.0	1.0	15
Г25 8x8	8.12	7.70 -0.15	16.0 ± 0.20	1.0	1.0	1.0	15
Г25 8x9	8.12	8.70 -0.15	16.0 ± 0.20	1.0	1.0	1.0	15
Г25 8x10	8.12	9.70 -0.15	16.0 ± 0.20	1.0	1.0	1.0	15
Г25 8x11	8.12	10.70 -0.15	16.0 ± 0.20	1.0	1.0	1.0	15
Г25 8x12	8.12	11.70 -0.15	16.0 ± 0.20	1.0	1.0	1.0	15
Г25 8x13	8.12	12.70 -0.15	16.0 ± 0.20	1.0	1.0	1.0	15
Г25 9x8	9.12	7.70 -0.15	18.0 ± 0.20	1.0	1.0	1.0	15
Г25 9x9	9.12	8.70 -0.15	18.0 ± 0.20	1.0	1.0	1.0	15
Г25 9x10	9.12	9.70 -0.15	18.0 ± 0.20	1.0	1.0	1.0	15
Г25 9x11	9.12	10.70 -0.15	18.0 ± 0.20	1.0	1.0	1.0	15
Г25 9x12	9.12	11.70 -0.15	18.0 ± 0.20	1.0	1.0	1.0	15
Г25 9x13	9.12	12.70 -0.15	18.0 ± 0.20	1.0	1.0	1.0	15
Г25 9x14	9.12	13.70 -0.15	18.0 ± 0.20	1.0	1.0	1.0	15
Г25 10x16	10.14	15.70 -0.15	20.0 ± 0.20	1.0	1.0	1.0	15
Г25 10x10	10.14	9.70 -0.15	20.0 ± 0.20	1.0	1.0	1.0	15
Г25 10x11	10.14	10.70 -0.15	20.0 ± 0.20	1.0	1.0	1.0	15
Г25 10x12	10.14	11.70 -0.15	20.0 ± 0.20	1.0	1.0	1.0	15



Обозначение изделия	Размеры, мм						
	D - 0.027	H	г	г <sub>1</sub>	c + 0.25	c <sub>1</sub>	α
Г25 10x13	10.14	12.70 - 0.15	20.0 ± 0.20	1.0	1.0	1.0	15
Г25 10x14	10.14	13.70 - 0.15	20.0 ± 0.20	1.0	1.0	1.0	15
Г25 10x15	10.14	14.70 - 0.15	20.0 ± 0.20	1.0	1.0	1.0	15
Г25 10x9	10.14	8.70 - 0.15	20.0 ± 0.20	1.0	1.0	1.0	15
Г25 11x10	11.14	9.70 - 0.15	22.0 ± 0.20	1.0	1.0	1.0	15
Г25 11x11	11.14	10.70 - 0.15	22.0 ± 0.20	1.0	1.0	1.0	15
Г25 11x12	11.14	11.70 - 0.15	22.0 ± 0.20	1.0	1.0	1.0	15
Г25 11x13	11.14	12.70 - 0.15	22.0 ± 0.20	1.0	1.0	1.0	15
Г25 11x14	11.14	13.70 - 0.15	22.0 ± 0.20	1.0	1.0	1.0	15
Г25 11x15	11.14	14.70 - 0.15	22.0 ± 0.20	1.0	1.0	1.0	15
Г25 11x16	11.14	15.70 - 0.15	22.0 ± 0.20	1.0	1.0	1.0	15
Г25 12x11	12.14	10.70 - 0.15	24.0 ± 0.20	1.0	1.0	1.0	15
Г25 12x12	12.14	11.70 - 0.15	24.0 ± 0.20	1.0	1.0	1.0	15
Г25 12x13	12.14	12.70 - 0.15	24.0 ± 0.20	1.0	1.0	1.0	15
Г25 12x14	12.14	13.70 - 0.15	24.0 ± 0.20	1.0	1.0	1.0	15
Г25 12x15	12.14	14.70 - 0.15	24.0 ± 0.20	1.0	1.0	1.0	15
Г25 12x16	12.14	15.70 - 0.15	24.0 ± 0.20	1.0	1.0	1.0	15
Г25 12x17	12.14	16.70 - 0.15	24.0 ± 0.20	1.0	1.0	1.0	15
Г25 12x18	12.14	17.70 - 0.15	24.0 ± 0.20	1.0	1.0	1.0	15
Г25 13x12	13.14	11.70 - 0.15	26.0 ± 0.20	1.0	1.0	1.0	15
Г25 13x13	13.14	12.70 - 0.15	26.0 ± 0.20	1.0	1.0	1.0	15
Г25 13x14	13.14	13.70 - 0.15	26.0 ± 0.20	1.0	1.0	1.0	15
Г25 13x15	13.14	14.70 - 0.15	26.0 ± 0.20	1.0	1.0	1.0	15
Г25 13x16	13.14	15.70 - 0.15	26.0 ± 0.20	1.0	1.0	1.0	15
Г25 13x17	13.14	16.70 - 0.15	26.0 ± 0.20	1.0	1.0	1.0	15
Г25 13x18	13.14	17.70 - 0.15	26.0 ± 0.20	1.0	1.0	1.0	15
Г25 13x19	13.14	18.70 - 0.15	26.0 ± 0.20	1.0	1.0	1.0	15
Г25 14x13	14.14	12.70 - 0.15	28.0 ± 0.20	1.0	1.0	1.0	15
Г25 14x14	14.14	13.70 - 0.15	28.0 ± 0.20	1.0	1.0	1.0	15
Г25 14x15	14.14	14.70 - 0.15	28.0 ± 0.20	1.0	1.0	1.0	15
Г25 14x16	14.14	15.70 - 0.15	28.0 ± 0.20	1.0	1.0	1.0	15
Г25 14x17	14.14	16.70 - 0.15	28.0 ± 0.20	1.0	1.0	1.0	15
Г25 14x18	14.14	17.70 - 0.15	28.0 ± 0.20	1.0	1.0	1.0	15
Г25 14x19	14.14	18.70 - 0.15	28.0 ± 0.20	1.0	1.0	1.0	15
Г25 14x20	14.14	19.70 - 0.15	28.0 ± 0.20	1.0	1.0	1.0	15
Г25 14x21	14.14	20.70 - 0.15	28.0 ± 0.20	1.0	1.0	1.0	15
Г25 15x15	15.14	14.70 - 0.15	30.0 ± 0.20	1.0	1.0	1.0	15
Г25 15x16	15.14	15.70 - 0.15	30.0 ± 0.20	1.0	1.0	1.0	15
Г25 15x17	15.14	16.70 - 0.15	30.0 ± 0.20	1.0	1.0	1.0	15
Г25 15x18	15.14	17.70 - 0.15	30.0 ± 0.20	1.0	1.0	1.0	15
Г25 15x19	15.14	18.70 - 0.15	30.0 ± 0.20	1.0	1.0	1.0	15
Г25 15x20	15.14	19.70 - 0.15	30.0 ± 0.20	1.0	1.0	1.0	15
Г25 15x21	15.14	20.70 - 0.15	30.0 ± 0.20	1.0	1.0	1.0	15
Г25 15x22	15.14	21.70 - 0.15	30.0 ± 0.20	1.0	1.0	1.0	15
Г25 16x16	16.14	15.70 - 0.15	32.0 ± 0.20	1.0	1.0	1.0	15
Г25 16x17	16.14	16.70 - 0.15	32.0 ± 0.20	1.0	1.0	1.0	15
Г25 16x18	16.14	17.70 - 0.15	32.0 ± 0.20	1.0	1.0	1.0	15
Г25 16x19	16.14	18.70 - 0.15	32.0 ± 0.20	1.0	1.0	1.0	15
Г25 16x20	16.14	19.70 - 0.15	32.0 ± 0.20	1.0	1.0	1.0	15
Г25 16x22	16.14	21.70 - 0.15	32.0 ± 0.20	1.0	1.0	1.0	15
Г25 16x24	16.14	23.70 - 0.15	32.0 ± 0.20	1.0	1.0	1.0	15



## Форма Г26



Применяются для армирования шарошечных долот

Обозначение изделия	Размеры, мм				
	D	H	R	C	α
Г26 3x5	3.12 -0.027	4.70 +0.3	1.8 ± 0.20	0.4 +0.25	45
Г26 4x5	4.12 -0.027	4.70 +0.3	2.3 ± 0.20	0.4 +0.25	45
Г26 4x6	4.12 -0.027	5.70 +0.3	2.3 ± 0.20	0.4 +0.25	45
Г26 4x7	4.12 -0.027	6.70 +0.3	2.3 ± 0.20	0.4 +0.25	45
Г26 5x6	5.12 -0.027	5.70 +0.3	2.8 ± 0.20	0.4 +0.25	45
Г26 5x7	5.12 -0.027	6.70 +0.3	2.8 ± 0.20	0.4 +0.25	45
Г26 5x8	5.12 -0.027	7.70 +0.3	2.8 ± 0.20	0.4 +0.25	45
Г26 5x9	5.12 -0.027	8.70 +0.3	2.8 ± 0.20	0.4 +0.25	45
Г26 6x6	6.12 -0.027	5.70 -0.15	3.4 ± 0.20	0.8 +0.25	15
Г26 6x7	6.12 -0.027	6.70 -0.15	3.4 ± 0.20	0.8 +0.25	15
Г26 6x8	6.12 -0.027	7.70 -0.15	3.4 ± 0.20	0.8 +0.25	15
Г26 6x9	6.12 -0.027	8.70 -0.15	3.4 ± 0.20	0.8 +0.25	15
Г26 6x10	6.12 -0.027	9.70 -0.15	3.4 ± 0.20	0.8 +0.25	15
Г26 7x6	7.12 -0.027	5.70 -0.15	3.9 ± 0.20	0.8 +0.25	15
Г26 7x7	7.12 -0.027	6.70 -0.15	3.9 ± 0.20	0.8 +0.25	15
Г26 7x8	7.12 -0.027	7.70 -0.15	3.9 ± 0.20	0.8 +0.25	15
Г26 7x9	7.12 -0.027	8.70 -0.15	3.9 ± 0.20	0.8 +0.25	15
Г26 7x10	7.12 -0.027	9.70 -0.15	3.9 ± 0.20	0.8 +0.25	15
Г26 7x11	7.12 -0.027	10.70 -0.15	3.9 ± 0.20	0.8 +0.25	15
Г26 7x12	7.12 -0.027	11.70 -0.15	3.9 ± 0.20	0.8 +0.25	15
Г26 8x7	8.12 -0.027	6.70 -0.15	4.5 ± 0.20	1.0 +0.25	15
Г26 8x8	8.12 -0.027	7.70 -0.15	4.5 ± 0.20	1.0 +0.25	15
Г26 8x9	8.12 -0.027	8.70 -0.15	4.5 ± 0.20	1.0 +0.25	15
Г26 8x10	8.12 -0.027	9.70 -0.15	4.5 ± 0.20	1.0 +0.25	15
Г26 8x11	8.12 -0.027	10.70 -0.15	4.5 ± 0.20	1.0 +0.25	15
Г26 8x12	8.12 -0.027	11.70 -0.15	4.5 ± 0.20	1.0 +0.25	15
Г26 8x13	8.12 -0.027	12.70 -0.15	4.5 ± 0.20	1.0 +0.25	15
Г26 9x8	9.12 -0.027	7.70 -0.15	5.0 ± 0.20	1.0 +0.25	15
Г26 9x9	9.12 -0.027	8.70 -0.15	5.0 ± 0.20	1.0 +0.25	15
Г26 9x10	9.12 -0.027	9.70 -0.15	5.0 ± 0.20	1.0 +0.25	15
Г26 9x11	9.12 -0.027	10.70 -0.15	5.0 ± 0.20	1.0 +0.25	15
Г26 9x12	9.12 -0.027	11.70 -0.15	5.0 ± 0.20	1.0 +0.25	15
Г26 9x13	9.12 -0.027	12.70 -0.15	5.0 ± 0.20	1.0 +0.25	15
Г26 9x14	9.12 -0.027	13.70 -0.15	5.0 ± 0.20	1.0 +0.25	15
Г26 10x9	10.14 -0.027	8.70 -0.15	5.5 ± 0.25	1.0 +0.25	15
Г26 10x10	10.14 -0.027	9.70 -0.15	5.5 ± 0.25	1.0 +0.25	15
Г26 10x11	10.14 -0.027	10.70 -0.15	5.5 ± 0.25	1.0 +0.25	15
Г26 10x12	10.14 -0.027	11.70 -0.15	5.5 ± 0.25	1.0 +0.25	15

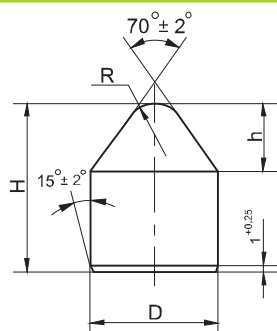




Обозначение изделия	Размеры, мм				
	D	H	R	C	α
Г26 10x13	10.14 - 0.027	12.70 - 0.15	5.5 ± 0.25	1.0 +0.25	15
Г26 10x14	10.14 - 0.027	13.70 - 0.15	5.5 ± 0.25	1.0 +0.25	15
Г26 10x15	10.14 - 0.027	14.70 - 0.15	5.5 ± 0.25	1.0 +0.25	15
Г26 10x16	10.14 - 0.027	15.70 - 0.15	5.5 ± 0.25	1.0 +0.25	15
Г26 11x10	11.14 - 0.027	9.70 - 0.15	6.0 ± 0.25	1.0 +0.25	15
Г26 11x11	11.14 - 0.027	10.70 - 0.15	6.0 ± 0.25	1.0 +0.25	15
Г26 11x12	11.14 - 0.027	11.70 - 0.15	6.0 ± 0.25	1.0 +0.25	15
Г26 11x13	11.14 - 0.027	12.70 - 0.15	6.0 ± 0.25	1.0 +0.25	15
Г26 11x14	11.14 - 0.027	13.70 - 0.15	6.0 ± 0.25	1.0 +0.25	15
Г26 11x15	11.14 - 0.027	14.70 - 0.15	6.0 ± 0.25	1.0 +0.25	15
Г26 11x16	11.14 - 0.027	15.70 - 0.15	6.0 ± 0.25	1.0 +0.25	15
Г26 11x17	11.14 - 0.027	16.70 - 0.15	6.0 ± 0.25	1.0 +0.25	15
Г26 12x12	12.14 - 0.027	11.70 - 0.15	6.5 ± 0.25	1.0 +0.25	15
Г26 12x13	12.14 - 0.027	12.70 - 0.15	6.5 ± 0.25	1.0 +0.25	15
Г26 12x14	12.14 - 0.027	13.70 - 0.15	6.5 ± 0.25	1.0 +0.25	15
Г26 12x15	12.14 - 0.027	14.70 - 0.15	6.5 ± 0.25	1.0 +0.25	15
Г26 12x16	12.14 - 0.027	15.70 - 0.15	6.5 ± 0.25	1.0 +0.25	15
Г26 12x17	12.14 - 0.027	16.70 - 0.15	6.5 ± 0.25	1.0 +0.25	15
Г26 12x18	12.14 - 0.027	17.70 - 0.15	6.5 ± 0.25	1.0 +0.25	15
Г26 13x12	13.14 - 0.027	11.70 - 0.15	7.0 ± 0.25	1.0 +0.25	15
Г26 13x13	13.14 - 0.027	12.70 - 0.15	7.0 ± 0.25	1.0 +0.25	15
Г26 13x14	13.14 - 0.027	13.70 - 0.15	7.0 ± 0.25	1.0 +0.25	15
Г26 13x15	13.14 - 0.027	14.70 - 0.15	7.0 ± 0.25	1.0 +0.25	15
Г26 13x16	13.14 - 0.027	15.70 - 0.15	7.0 ± 0.25	1.0 +0.25	15
Г26 13x17	13.14 - 0.027	16.70 - 0.15	7.0 ± 0.25	1.0 +0.25	15
Г26 13x18	13.14 - 0.027	17.70 - 0.15	7.0 ± 0.25	1.0 +0.25	15
Г26 13x19	13.14 - 0.027	18.70 - 0.15	7.0 ± 0.25	1.0 +0.25	15
Г26 14x13	14.14 - 0.027	12.70 - 0.15	7.5 ± 0.25	1.0 +0.25	15
Г26 14x14	14.14 - 0.027	13.70 - 0.15	7.5 ± 0.25	1.0 +0.25	15
Г26 14x15	14.14 - 0.027	14.70 - 0.15	7.5 ± 0.25	1.0 +0.25	15
Г26 14x16	14.14 - 0.027	15.70 - 0.15	7.5 ± 0.25	1.0 +0.25	15
Г26 14x17	14.14 - 0.027	16.70 - 0.15	7.5 ± 0.25	1.0 +0.25	15
Г26 14x18	14.14 - 0.027	17.70 - 0.15	7.5 ± 0.25	1.0 +0.25	15
Г26 14x19	14.14 - 0.027	18.70 - 0.15	7.5 ± 0.25	1.0 +0.25	15
Г26 14x20	14.14 - 0.027	19.70 - 0.15	7.5 ± 0.25	1.0 +0.25	15
Г26 14x21	14.14 - 0.027	20.70 - 0.15	7.5 ± 0.25	1.0 +0.25	15
Г26 15x15	15.14 - 0.027	14.70 - 0.15	8.0 ± 0.25	1.0 +0.25	15
Г26 15x16	15.14 - 0.027	15.70 - 0.15	8.0 ± 0.25	1.0 +0.25	15
Г26 15x17	15.14 - 0.027	16.70 - 0.15	8.0 ± 0.25	1.0 +0.25	15
Г26 15x18	15.14 - 0.027	17.70 - 0.15	8.0 ± 0.25	1.0 +0.25	15
Г26 15x19	15.14 - 0.027	18.70 - 0.15	8.0 ± 0.25	1.0 +0.25	15
Г26 15x20	15.14 - 0.027	19.70 - 0.15	8.0 ± 0.25	1.0 +0.25	15
Г26 15x21	15.14 - 0.027	20.70 - 0.15	8.0 ± 0.25	1.0 +0.25	15
Г26 15x22	15.14 - 0.027	21.70 - 0.15	8.0 ± 0.25	1.0 +0.25	15
Г26 16x16	16.14 - 0.027	15.70 - 0.15	8.5 ± 0.25	1.0 +0.25	15
Г26 16x17	16.14 - 0.027	16.70 - 0.15	8.5 ± 0.25	1.0 +0.25	15
Г26 16x18	16.14 - 0.027	17.70 - 0.15	8.5 ± 0.25	1.0 +0.25	15
Г26 16x19	16.14 - 0.027	18.70 - 0.15	8.5 ± 0.25	1.0 +0.25	15
Г26 16x20	16.14 - 0.027	19.70 - 0.15	8.5 ± 0.25	1.0 +0.25	15
Г26 16x22	16.14 - 0.027	21.70 - 0.15	8.5 ± 0.25	1.0 +0.25	15
Г26 16x24	16.14 - 0.027	23.70 - 0.15	8.5 ± 0.25	1.0 +0.25	15



## Форма К



Применяются для армирования  
шарошечных долот

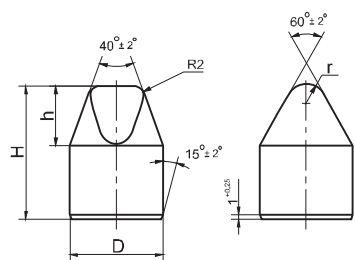
Обозначение изделия	Размеры, мм			
	D - 0.027	H - 0.15	R ± 0.20	h
К 8x7	8.12	6.70	2.95	3.6
К 8x8	8.12	7.70	2.95	3.6
К 8x9	8.12	8.70	2.95	3.6
К 8x10	8.12	9.70	2.95	3.6
К 8x11	8.12	10.70	2.95	3.6
К 8x12	8.12	11.70	2.95	3.6
К 8x13	8.12	12.70	2.95	3.6
К 10x9	10.14	8.70	4.21	4.1
К 10x10	10.14	9.70	4.21	4.1
К 10x11	10.14	10.70	4.21	4.1
К 10x12	10.14	11.70	4.21	4.1
К 10x13	10.14	12.70	4.21	4.1
К 10x14	10.14	13.70	4.21	4.1
К 10x15	10.14	14.70	4.21	4.1
К 10x16	10.14	15.70	4.21	4.1
К 11x10	11.14	9.70	4.10	4.9
К 11x11	11.14	10.70	4.10	4.9
К 11x12	11.14	11.70	4.10	4.9
К 11x13	11.14	12.70	4.10	4.9
К 11x14	11.14	13.70	4.10	4.9
К 11x15	11.14	14.70	4.10	4.9
К 11x16	11.14	15.70	4.10	4.9
К 11x17	11.14	16.70	4.10	4.9
К 11x18	11.14	17.70	4.10	4.9
К 12x11	12.14	10.70	4.25	5.5
К 12x12	12.14	11.70	4.25	5.5
К 12x13	12.14	12.70	4.25	5.5
К 12x14	12.14	13.70	4.25	5.5
К 12x15	12.14	14.70	4.25	5.5
К 12x16	12.14	15.70	4.25	5.5
К 12x17	12.14	16.70	4.25	5.5
К 12x18	12.14	17.70	4.25	5.5
К 13x12	13.14	11.70	4.14	6.3
К 13x13	13.14	12.70	4.14	6.3
К 13x14	13.14	13.70	4.14	6.3
К 13x15	13.14	14.70	4.14	6.3
К 13x16	13.14	15.70	4.14	6.3
К 13x17	13.14	16.70	4.14	6.3



Обозначение изделия	Размеры, мм			
	D - 0.027	H - 0.15	R ± 0.20	h
K 13x18	13.14	17.70	4.14	6.3
K 13x20	13.14	19.70	4.14	6.3
K 14x13	14.14	12.70	4.16	7.0
K 14x14	14.14	13.70	4.16	7.0
K 14x15	14.14	14.70	4.16	7.0
K 14x16	14.14	15.70	4.16	7.0
K 14x17	14.14	16.70	4.16	7.0
K 14x18	14.14	17.70	4.16	7.0
K 14x19	14.14	18.70	4.16	7.0
K 14x20	14.14	19.70	4.16	7.0
K 14x21	14.14	20.70	4.16	7.0
K 16x16	16.14	15.70	3.93	8.6
K 16x17	16.14	16.70	3.93	8.6
K 16x18	16.14	17.70	3.93	8.6
K 16x19	16.14	18.70	3.93	8.6
K 16x20	16.14	19.70	3.93	8.6
K 16x21	16.14	20.70	3.93	8.6
K 16x22	16.14	21.70	3.93	8.6
K 16x23	16.14	22.70	3.93	8.6
K 16x24	16.14	23.70	3.93	8.6



## Форма М



Применяются для армирования  
шарошечных долот

Обозначение изделия	Размеры, мм				
	D -0.027	H -0.15	h <sub>1</sub>	h <sub>2</sub>	r
М 8x7	8.12	6.70	4.7	4.5	2.40
М 8x8	8.12	7.70	4.7	4.5	2.40
М 8x9	8.12	8.70	4.7	4.5	2.40
М 8x10	8.12	9.70	4.7	4.5	2.40
М 8x11	8.12	10.70	4.7	4.5	2.40
М 8x12	8.12	11.70	4.7	4.5	2.40
М 8x13	8.12	12.70	4.7	4.5	2.40
М 10x9	10.14	8.70	6.2	6.0	2.65
М 10x10	10.14	9.70	6.2	6.0	2.65
М 10x11	10.14	10.70	6.2	6.0	2.65
М 10x12	10.14	11.70	6.2	6.0	2.65
М 10x13	10.14	12.70	6.2	6.0	2.65
М 10x14	10.14	13.70	6.2	6.0	2.65
М 10x15	10.14	14.70	6.2	6.0	2.65
М 10x16	10.14	15.70	6.2	6.0	2.65
М 11x10	11.14	9.70	6.8	6.6	2.90
М 11x11	11.14	10.70	6.8	6.6	2.90
М 11x12	11.14	11.70	6.8	6.6	2.90
М 11x13	11.14	12.70	6.8	6.6	2.90
М 11x14	11.14	13.70	6.8	6.6	2.90
М 11x15	11.14	14.70	6.8	6.6	2.90
М 11x16	11.14	15.70	6.8	6.6	2.90
М 11x17	11.14	16.70	6.8	6.6	2.90
М 11x18	11.14	17.70	6.8	6.6	2.90
М 12x11	12.14	10.70	7.1	6.9	3.48
М 12x12	12.14	11.70	7.1	6.9	3.48
М 12x13	12.14	12.70	7.1	6.9	3.48
М 12x14	12.14	13.70	7.1	6.9	3.48
М 12x15	12.14	14.70	7.1	6.9	3.48
М 12x16	12.14	15.70	7.1	6.9	3.48
М 12x17	12.14	16.70	7.1	6.9	3.48
М 12x18	12.14	17.70	7.1	6.9	3.48
М 13x12	13.14	11.70	8.0	7.8	3.45
М 13x13	13.14	12.70	8.0	7.8	3.45
М 13x14	13.14	13.70	8.0	7.8	3.45
М 13x15	13.14	14.70	8.0	7.8	3.45
М 13x16	13.14	15.70	8.0	7.8	3.45
М 13x17	13.14	16.70	8.0	7.8	3.45

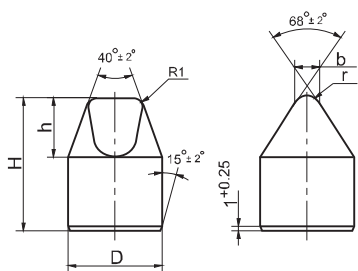




Обозначение изделия	Размеры, мм				
	D -0.027	H -0.15	h <sub>1</sub>	h <sub>2</sub>	r
M 13x18	13.14	17.70	8.0	7.8	3.45
M 13x19	13.14	18.70	8.0	7.8	3.45
M 13x20	13.14	19.70	8.0	7.8	3.45
M 14x13	14.14	12.70	8.9	8.7	3.41
M 14x14	14.14	13.70	8.9	8.7	3.41
M 14x15	14.14	14.70	8.9	8.7	3.41
M 14x16	14.14	15.70	8.9	8.7	3.41
M 14x17	14.14	16.70	8.9	8.7	3.41
M 14x18	14.14	17.70	8.9	8.7	3.41
M 14x19	14.14	18.70	8.9	8.7	3.41
M 14x20	14.14	19.70	8.9	8.7	3.41
M 14x21	14.14	20.70	8.9	8.7	3.41
M 16x16	16.14	15.70	10.70	10.50	3.35
M 16x17	16.14	16.70	10.70	10.50	3.35
M 16x18	16.14	17.70	10.70	10.50	3.35
M 16x19	16.14	18.70	10.70	10.50	3.35
M 16x20	16.14	19.70	10.70	10.50	3.35
M 16x21	16.14	20.70	10.70	10.50	3.35
M 16x22	16.14	21.70	10.70	10.50	3.35
M 16x23	16.14	22.70	10.70	10.50	3.35
M 16x24	16.14	23.70	10.70	10.50	3.35



## Форма С



Применяются для армирования шарошечных долот

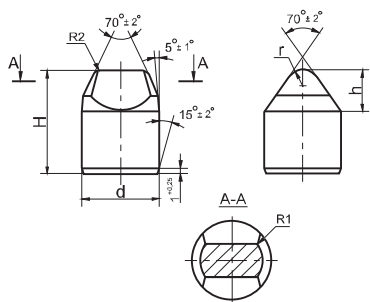
Обозначение изделия	Размеры, мм					
	D -0.027	H -0.15	h	b	R	r <sub>1</sub>
С 6x8	6.12	7.70	3.5	3.65	2.2	2.0
С 6x9	6.12	8.70	3.5	3.65	2.2	2.0
С 6x10	6.12	9.70	3.5	3.65	2.2	2.0
С 8x7	8.12	6.70	4.0	4.48	2.7	2.0
С 8x8	8.12	7.70	4.0	4.48	2.7	2.0
С 8x9	8.12	8.70	4.0	4.48	2.7	2.0
С 8x10	8.12	9.70	4.0	4.48	2.7	2.0
С 8x11	8.12	10.70	4.0	4.48	2.7	2.0
С 8x12	8.12	11.70	4.0	4.48	2.7	2.0
С 8x13	8.12	12.70	4.0	4.48	2.7	2.0
С 10x9	10.14	8.70	5.0	4.97	3.0	2.0
С 10x10	10.14	9.70	5.0	4.97	3.0	2.0
С 10x11	10.14	10.70	5.0	4.97	3.0	2.0
С 10x12	10.14	11.70	5.0	4.97	3.0	2.0
С 10x13	10.14	12.70	5.0	4.97	3.0	2.0
С 10x14	10.14	13.70	5.0	4.97	3.0	2.0
С 10x15	10.14	14.70	5.0	4.97	3.0	2.0
С 10x16	10.14	15.70	5.0	4.97	3.0	2.0
С 11x10	11.14	9.70	6.0	4.97	3.0	2.0
С 11x11	11.14	10.70	6.0	4.97	3.0	2.0
С 11x12	11.14	11.70	6.0	4.97	3.0	2.0
С 11x13	11.14	12.70	6.0	4.97	3.0	2.0
С 11x14	11.14	13.70	6.0	4.97	3.0	2.0
С 11x15	11.14	14.70	6.0	4.97	3.0	2.0
С 11x16	11.14	15.70	6.0	4.97	3.0	2.0
С 11x17	11.14	16.70	6.0	4.97	3.0	2.0
С 11x18	11.14	17.70	6.0	4.97	3.0	2.0
С 12x11	12.14	10.70	6.5	5.47	3.3	2.0
С 12x12	12.14	11.70	6.5	5.47	3.3	2.0
С 12x13	12.14	12.70	6.5	5.47	3.3	2.0
С 12x14	12.14	13.70	6.5	5.47	3.3	2.0
С 12x15	12.14	14.70	6.5	5.47	3.3	2.0
С 12x16	12.14	15.70	6.5	5.47	3.3	2.0
С 12x17	12.14	16.70	6.5	5.47	3.3	2.0
С 12x18	12.14	17.70	6.5	5.47	3.3	2.0
С 13x12	13.14	11.70	7.0	5.97	3.6	2.0
С 13x13	13.14	12.70	7.0	5.97	3.6	2.0
С 13x14	13.14	13.70	7.0	5.97	3.6	2.0



Обозначение изделия	Размеры, мм					
	D -0.027	H -0.15	h	b	R	r <sub>1</sub>
C 13x15	13.14	14.70	7.0	5.97	3.6	2.0
C 13x16	13.14	15.70	7.0	5.97	3.6	2.0
C 13x17	13.14	16.70	7.0	5.97	3.6	2.0
C 13x18	13.14	17.70	7.0	5.97	3.6	2.0
C 13x19	13.14	18.70	7.0	5.97	3.6	2.0
C 13x20	13.14	19.70	7.0	5.97	3.6	2.0
C 14x13	14.14	12.70	7.9	5.64	3.4	2.0
C 14x14	14.14	13.70	7.9	5.64	3.4	2.0
C 14x15	14.14	14.70	7.9	5.64	3.4	2.0
C 14x16	14.14	15.70	7.9	5.64	3.4	2.0
C 14x17	14.14	16.70	7.9	5.64	3.4	2.0
C 14x18	14.14	17.70	7.9	5.64	3.4	2.0
C 14x19	14.14	18.70	7.9	5.64	3.4	2.0
C 14x20	14.14	19.70	7.9	5.64	3.4	2.0
C 14x21	14.14	20.70	7.9	5.64	3.4	2.0
C 16x16	16.14	15.70	9.4	5.64	3.4	2.0
C 16x17	16.14	16.70	9.4	5.64	3.4	2.0
C 16x18	16.14	17.70	9.4	5.64	3.4	2.0
C 16x19	16.14	18.70	9.4	5.64	3.4	2.0
C 16x20	16.14	19.70	9.4	5.64	3.4	2.0
C 16x21	16.14	20.70	9.4	5.64	3.4	2.0
C 16x22	16.14	21.70	9.4	5.64	3.4	2.0
C 16x23	16.14	22.70	9.4	5.64	3.4	2.0
C 16x24	16.14	23.70	9.4	5.64	3.4	2.0



## Форма СТ \*



Применяются для армирования шарошечных долот

Обозначение изделия	Размеры, мм				
	D -0.027	H -0.15	h <sub>1</sub>	h <sub>2</sub>	r
СТ 8x7	8.14	6.70	4.0	3.0	2.3
СТ 8x8	8.14	7.70	4.0	3.0	2.3
СТ 8x9	8.14	8.70	4.0	3.0	2.3
СТ 8x10	8.14	9.70	4.0	3.0	2.3
СТ 8x11	8.14	10.70	4.0	3.0	2.3
СТ 8x12	8.14	11.70	4.0	3.0	2.3
СТ 8x13	8.14	12.70	4.0	3.0	2.3
СТ 10x9	10.14	8.70	5.3	3.7	2.5
СТ 10x10	10.14	9.70	5.3	3.7	2.5
СТ 10x11	10.14	10.70	5.3	3.7	2.5
СТ 10x12	10.14	11.70	5.3	3.7	2.5
СТ 10x13	10.14	12.70	5.3	3.7	2.5
СТ 10x14	10.14	13.70	5.3	3.7	2.5
СТ 10x15	10.14	14.70	5.3	3.7	2.5
СТ 10x16	10.14	15.70	5.3	3.7	2.5
СТ 11x10	11.14	9.70	5.8	3.9	2.8
СТ 11x11	11.14	10.70	5.8	3.9	2.8
СТ 11x12	11.14	11.70	5.8	3.9	2.8
СТ 11x13	11.14	12.70	5.8	3.9	2.8
СТ 11x14	11.14	13.70	5.8	3.9	2.8
СТ 11x15	11.14	14.70	5.8	3.9	2.8
СТ 11x16	11.14	15.70	5.8	3.9	2.8
СТ 11x17	11.14	16.70	5.8	3.9	2.8
СТ 11x18	11.14	17.70	5.8	3.9	2.8
СТ 12x11	12.14	10.70	6.3	4.0	3.2
СТ 12x12	12.14	11.70	6.3	4.0	3.2
СТ 12x13	12.14	12.70	6.3	4.0	3.2
СТ 12x14	12.14	13.70	6.3	4.0	3.2
СТ 12x15	12.14	14.70	6.3	4.0	3.2
СТ 12x16	12.14	15.70	6.3	4.0	3.2
СТ 12x17	12.14	16.70	6.3	4.0	3.2
СТ 12x18	12.14	17.70	6.3	4.0	3.2
СТ 13x12	13.14	11.70	7.0	4.3	3.2
СТ 13x13	13.14	12.70	7.0	4.3	3.2
СТ 13x14	13.14	13.70	7.0	4.3	3.2
СТ 13x15	13.14	14.70	7.0	4.3	3.2
СТ 13x16	13.14	15.70	7.0	4.3	3.2
СТ 13x17	13.14	16.70	7.0	4.3	3.2

\* изготовление после согласования объемов

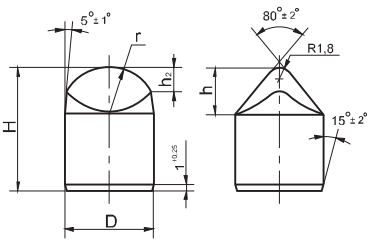


Обозначение изделия	Размеры, мм				
	D -0.027	H -0.15	h <sub>1</sub>	h <sub>2</sub>	r
СТ 13x18	13.14	17.70	7.0	4.3	3.2
СТ 13x19	13.14	18.70	7.0	4.3	3.2
СТ 13x20	13.14	19.70	7.0	4.3	3.2
СТ 14x13	14.14	12.70	7.7	4.7	3.2
СТ 14x14	14.14	13.70	7.7	4.7	3.2
СТ 14x15	14.14	14.70	7.7	4.7	3.2
СТ 14x16	14.14	15.70	7.7	4.7	3.2
СТ 14x17	14.14	16.70	7.7	4.7	3.2
СТ 14x18	14.14	17.70	7.7	4.7	3.2
СТ 14x19	14.14	18.70	7.7	4.7	3.2
СТ 14x20	14.14	19.70	7.7	4.7	3.2
СТ 14x21	14.14	20.70	7.7	4.7	3.2
СТ 16x16	16.14	15.70	9.2	5.3	3.2
СТ 16x17	16.14	16.70	9.2	5.3	3.2
СТ 16x18	16.14	17.70	9.2	5.3	3.2
СТ 16x19	16.14	18.70	9.2	5.3	3.2
СТ 16x20	16.14	19.70	9.2	5.3	3.2
СТ 16x21	16.14	20.70	9.2	5.3	3.2
СТ 16x22	16.14	21.70	9.2	5.3	3.2
СТ 16x23	16.14	22.70	9.2	5.3	3.2
СТ 16x24	16.14	23.70	9.2	5.3	3.2





## Форма Т\*



Применяются для армирования шарошечных долот

Обозначение изделия	Размеры, мм				
	D -0.027	H -0.15	h <sub>1</sub>	h <sub>2</sub>	r
Т 8x7	8.12	6.70	3.9	2.2	4.8
Т 8x8	8.12	7.70	3.9	2.2	4.8
Т 8x9	8.12	8.70	3.9	2.2	4.8
Т 8x10	8.12	9.70	3.9	2.2	4.8
Т 8x11	8.12	10.70	3.9	2.2	4.8
Т 8x12	8.12	11.70	3.9	2.2	4.8
Т 8x13	8.12	12.70	3.9	2.2	4.8
Т 10x9	10.14	8.70	5.1	2.9	6.0
Т 10x10	10.14	9.70	5.1	2.9	6.0
Т 10x11	10.14	10.70	5.1	2.9	6.0
Т 10x12	10.14	11.70	5.1	2.9	6.0
Т 10x13	10.14	12.70	5.1	2.9	6.0
Т 10x14	10.14	13.70	5.1	2.9	6.0
Т 10x15	10.14	14.70	5.1	2.9	6.0
Т 10x16	10.14	15.70	5.1	2.9	6.0
Т 11x10	11.14	9.70	5.7	3.0	6.6
Т 11x11	11.14	10.70	5.7	3.0	6.6
Т 11x12	11.14	11.70	5.7	3.0	6.6
Т 11x13	11.14	12.70	5.7	3.0	6.6
Т 11x14	11.14	13.70	5.7	3.0	6.6
Т 11x15	11.14	14.70	5.7	3.0	6.6
Т 11x16	11.14	15.70	5.7	3.0	6.6
Т 11x17	11.14	16.70	5.7	3.0	6.6
Т 11x18	11.14	17.70	5.7	3.0	6.6
Т 12x11	12.14	10.70	6.3	3.3	7.2
Т 12x12	12.14	11.70	6.3	3.3	7.2
Т 12x13	12.14	12.70	6.3	3.3	7.2
Т 12x14	12.14	13.70	6.3	3.3	7.2
Т 12x15	12.14	14.70	6.3	3.3	7.2
Т 12x16	12.14	15.70	6.3	3.3	7.2
Т 12x17	12.14	16.70	6.3	3.3	7.2
Т 12x18	12.14	17.70	6.3	3.3	7.2
Т 13x12	13.14	11.70	6.9	3.6	7.8
Т 13x13	13.14	12.70	6.9	3.6	7.8
Т 13x14	13.14	13.70	6.9	3.6	7.8
Т 13x15	13.14	14.70	6.9	3.6	7.8
Т 13x16	13.14	15.70	6.9	3.6	7.8
Т 13x17	13.14	16.70	6.9	3.6	7.8

\* изготовление после согласования объемов



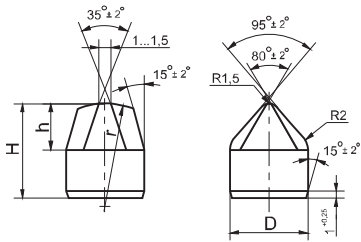


Обозначение изделия	Размеры, мм				
	D -0.027	H -0.15	h <sub>1</sub>	h <sub>2</sub>	r
T 13x18	13.14	17.70	6.9	3.6	7.8
T 13x19	13.14	18.70	6.9	3.6	7.8
T 13x20	13.14	19.70	6.9	3.6	7.8
T 14x13	14.14	12.70	7.5	3.9	8.4
T 14x14	14.14	13.70	7.5	3.9	8.4
T 14x15	14.14	14.70	7.5	3.9	8.4
T 14x16	14.14	15.70	7.5	3.9	8.4
T 14x17	14.14	16.70	7.5	3.9	8.4
T 14x18	14.14	17.70	7.5	3.9	8.4
T 14x19	14.14	18.70	7.5	3.9	8.4
T 14x20	14.14	19.70	7.5	3.9	8.4
T 14x21	14.14	20.70	7.5	3.9	8.4
T 16x16	16.14	15.70	8.6	4.2	9.0
T 16x17	16.14	16.70	8.6	4.2	9.0
T 16x18	16.14	17.70	8.6	4.2	9.0
T 16x19	16.14	18.70	8.6	4.2	9.0
T 16x20	16.14	19.70	8.6	4.2	9.0
T 16x21	16.14	20.70	8.6	4.2	9.0
T 16x22	16.14	21.70	8.6	4.2	9.0
T 16x23	16.14	22.70	8.6	4.2	9.0
T 16x24	16.14	23.70	8.6	4.2	9.0





## Форма Т2\*



Применяются для армирования  
шарошечных долот

Обозначение изделия	Размеры, мм		
	D -0.027	H -0.15	R ±0.10
T2 8x7	8.14	6.70	16
T2 8x8	8.14	7.70	16
T2 8x9	8.14	8.70	16
T2 8x10	8.14	9.70	16
T2 8x11	8.14	10.70	16
T2 8x12	8.14	11.70	16
T2 8x13	8.14	12.70	16
T2 10x9	10.14	8.70	20
T2 10x10	10.14	9.70	20
T2 10x11	10.14	10.70	20
T2 10x12	10.14	11.70	20
T2 10x13	10.14	12.70	20
T2 10x14	10.14	13.70	20
T2 10x15	10.14	14.70	20
T2 10x16	10.14	15.70	20
T2 11x10	11.14	9.70	22
T2 11x11	11.14	10.70	22
T2 11x12	11.14	11.70	22
T2 11x13	11.14	12.70	22
T2 11x14	11.14	13.70	22
T2 11x15	11.14	14.70	22
T2 11x16	11.14	15.70	22
T2 11x17	11.14	16.70	22
T2 11x18	11.14	17.70	22
T2 12x11	12.14	10.70	24
T2 12x12	12.14	11.70	24
T2 12x13	12.14	12.70	24
T2 12x14	12.14	13.70	24
T2 12x15	12.14	14.70	24
T2 12x16	12.14	15.70	24
T2 12x17	12.14	16.70	24
T2 12x18	12.14	17.70	24
T2 13x12	13.14	11.70	26
T2 13x13	13.14	12.70	26
T2 13x14	13.14	13.70	26
T2 13x15	13.14	14.70	26
T2 13x16	13.14	15.70	26
T2 13x17	13.14	16.70	26

\* изготовление после согласования  
объёмов







Обозначение изделия	Размеры, мм		
	D -0.027	H -0.15	R ±0.10
T2 13x18	13.14	17.70	26
T2 13x19	13.14	18.70	26
T2 13x20	13.14	19.70	26
T2 14x13	14.14	12.70	28
T2 14x14	14.14	13.70	28
T2 14x15	14.14	14.70	28
T2 14x16	14.14	15.70	28
T2 14x17	14.14	16.70	28
T2 14x18	14.14	17.70	28
T2 14x19	14.14	18.70	28
T2 14x20	14.14	19.70	28
T2 14x21	14.14	20.70	28
T2 16x16	16.14	15.70	32
T2 16x17	16.14	16.70	32
T2 16x18	16.14	17.70	32
T2 16x19	16.14	18.70	32
T2 16x20	16.14	19.70	32
T2 16x21	16.14	20.70	32
T2 16x22	16.14	21.70	32
T2 16x23	16.14	22.70	32
T2 16x24	16.14	23.70	32

